

DATA SHEET

DTLF 2.400

ROTARY VANE COMPRESSORS

oil-free

air-cooled

MAKE IT BECKER.

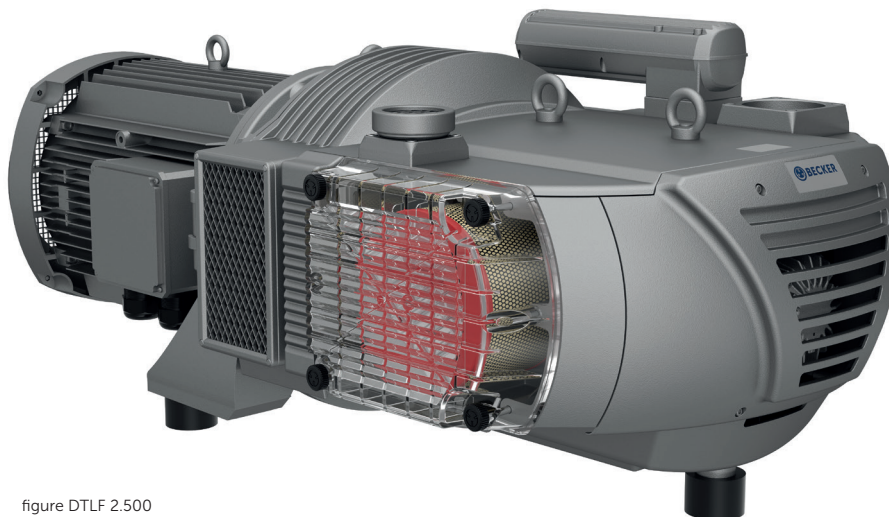
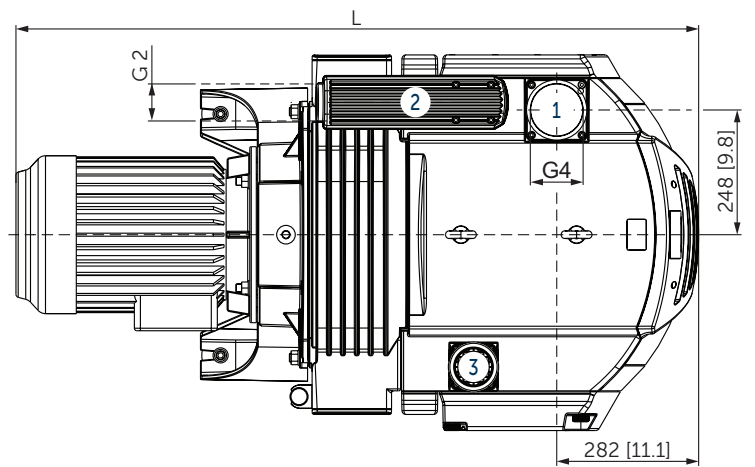
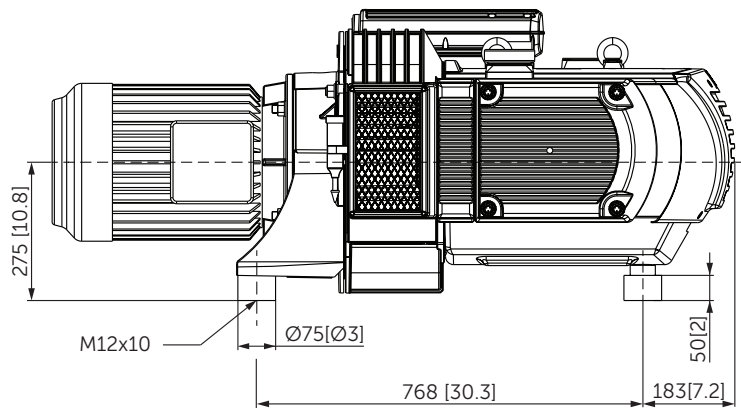
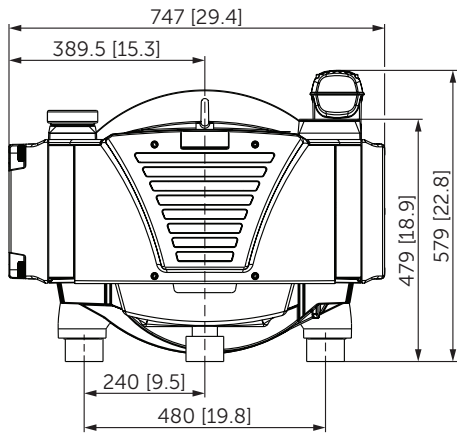


figure DTLF 2.500



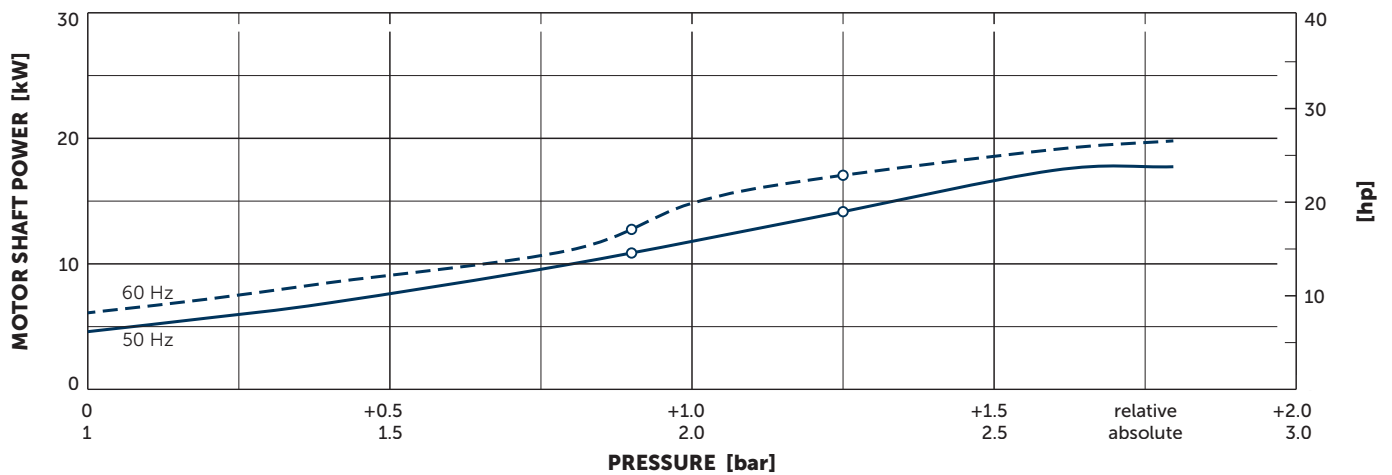
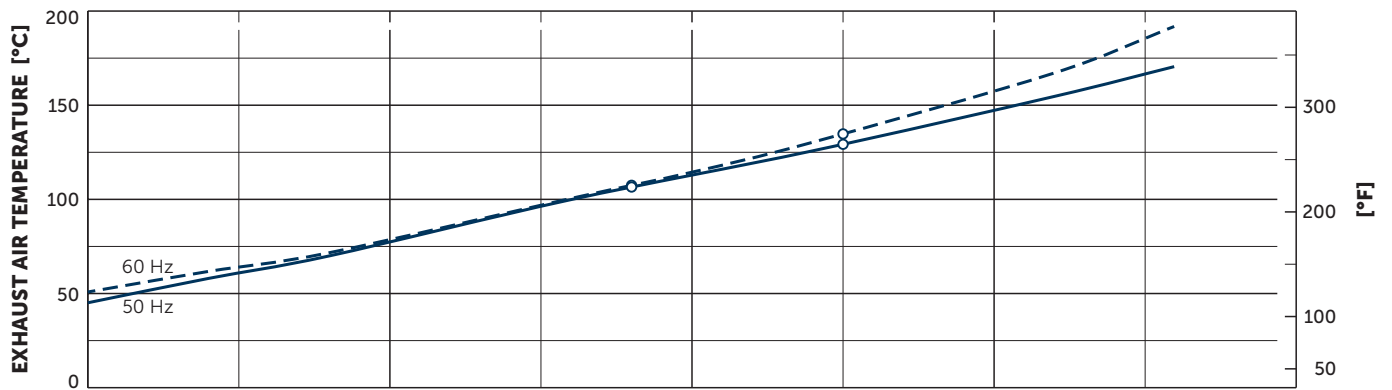
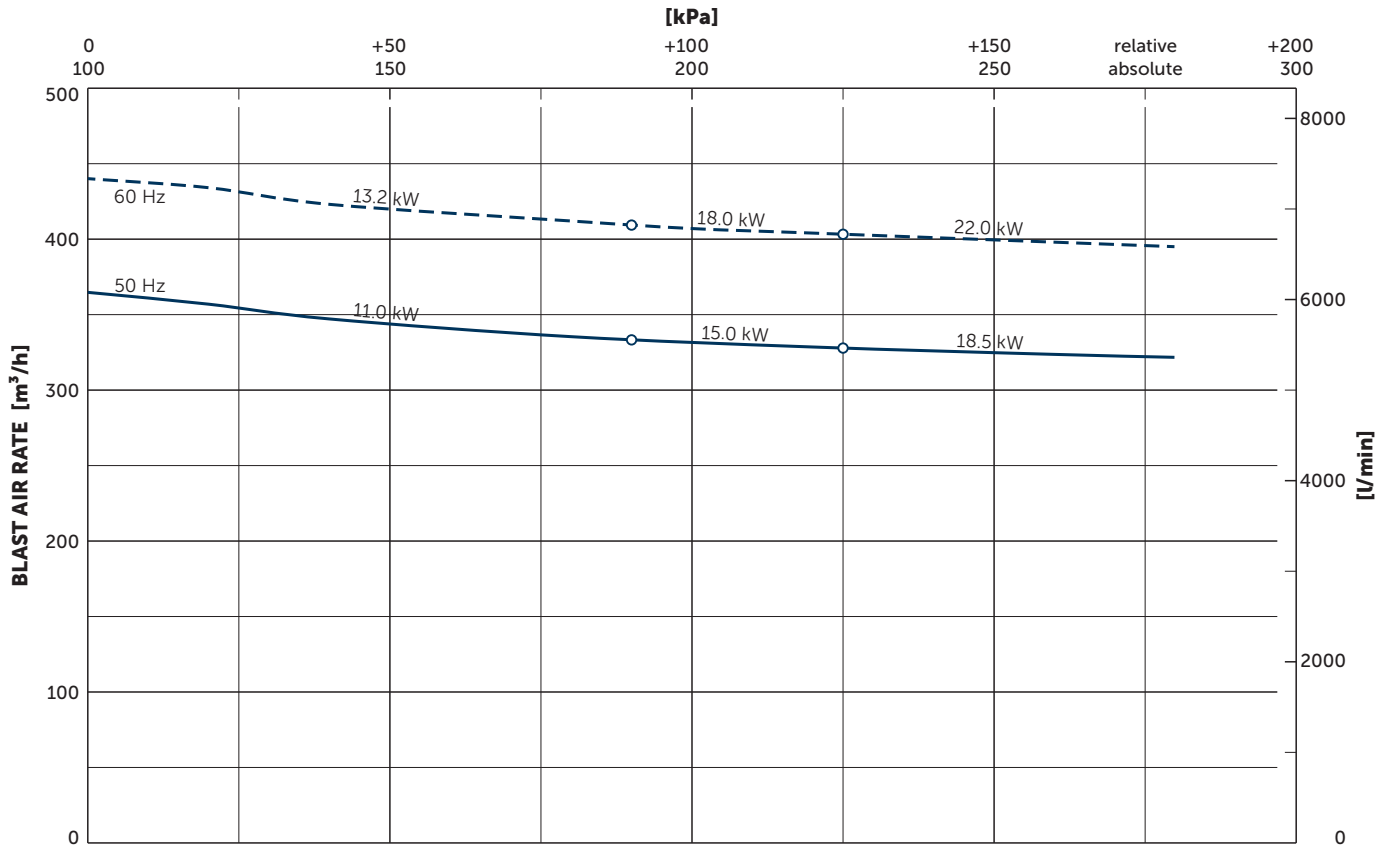
- 1 Pressure connection (G2)
- 2 Pressure safety valve with silencer
- 3 Air nozzle
- Including integrated suction air filter
- The motor illustration may vary
- Dimensions in mm [inch]

Blast air rate		Pressure relative		Motors		Emission sound pressure level ¹⁾		Weight w/o motor
m ³ /h		bar		kW		dB(A)		kg
50 Hz	60 Hz	50 Hz	60 Hz	50 Hz	60 Hz	50 Hz	60 Hz	
365	440	+0.9	+0.9	11.0	13.2	79	81	248
365	440	+1.25	+1.25	15.0	18.0	80	82	248
365	440	+1.8	+1.8	18.5	22.0	80	82	248

¹⁾ According to DIN EN ISO 11203, accuracy class of measurement: class 2, extended measurement uncertainty: 3 dB
1 m [39.4 inch] distance, at medium load, both connection sides piped

3~ Motors												L	
#	50 Hz				60 Hz				Weight kg	Version	mm [inch]		
	kW	V	rpm	A	kW	V	rpm	A					
01	11.0	Δ400	IE3	738	30.5	13.2	Δ460 Δ400	IE3	885 877	30.3 31.6	200	UL(E235514) • CSA CC329B IP55 • ISO F • bimetal	1529 [60.2]
02						13.2	YY230/Y460 YY208	IE3	881 876	51.4/25.7 54.6	183	UL(E235514) • CSA CC329B IP55 • ISO F • bimetal	1529 [60.2]
03	15.0	Δ400	IE3	733	33.7	18.0	Δ460 Δ400	IE3	880 873	34.1 37.3	191	UL(E235514) • CSA CC329B IP55 • ISO F • bimetal	1565 [61.7]
04						18.0	YY230/Y460 YY208	IE3	885 864	72.6/36.3 67.2	191	UL(E235514) • CSA CC329B IP55 • ISO F • bimetal	1565 [61.7]
05	18.5	Δ400	IE3	738	51.2	22.0	Δ460 Δ400	IE3	885 883	50.1 50.8	232	UL(E235514) • CSA CC329B IP55 • ISO F • bimetal	1565 [61.7]
06						22.0	YY230/Y460 YY208	IE3	887 884	102.4/51.2 102.2	232	UL(E235514) • CSA CC329B IP55 • ISO F • bimetal	1565 [61.7]

• Current consumption and rotation speed may vary. Tolerance in each case -1.5/+2%



Reference data (atmosphere): 1000 mbar (100 kPa), 20°C (68°F)
 Tolerance: ±5%

VARIANTS AND ACCESSORIES

- Internal dust separator
- External suction filter¹⁾
- Sound proof box SH 12¹⁾



Sound proof box SH 12

¹⁾ See separate data sheet

- Possible combinations on request



MAKE IT BECKER.